

Exhibit F

SUPREME COURT OF THE STATE OF NEW YORK
COUNTY OF NEW YORK

JERRY CADIGAN, and NANCY CATON
CADIGAN, as the Proposed Administrators of
the Estate of TREVOR NORRIS CADIGAN,
deceased,

Plaintiffs,

-against-

LIBERTY HELICOPTERS, INC., a New York
Corporation; NYONAIR, LLC, a New Jersey
Limited Liability Company; MERIDIAN
CONSULTING I CORPORATION, INC., a
Delaware Corporation; RICHARD ZEMKE
VANCE, a Connecticut resident; AIRBUS
HELICOPTERS, S.A.S., a French Corporation;
AIRBUS HELICOPTERS, INC.; a Delaware
Corporation; and APICAL INDUSTRIES, INC.
d/b/a DART AEROSPACE, a California
Corporation;

Defendants.

INDEX NO.: 152286/2018

**SUBPOENA DUCES TECUM TO
EUROTEC CANADA LIMITED**

TO: Document Custodian of EuroTec Canada, Limited
12 Innovation Drive Unit W
Dundas, Ontario L9H 7P3 Canada

GREETINGS:

WE COMMAND YOU, that all business and excuses being laid aside, you or your representative(s) produce, at the offices of EuroTec Canada Limited, Dundas, Ontario L9H 7P3 Canada, on September 25, 2018, at 10:00 a.m. in the forenoon, or at any recessed or adjourned date, the documents set forth in the attached **RIDER**, in reference to the above-entitled action now pending in the Supreme Court of the State of New York, New York County.

Failure to comply with this Subpoena is punishable as a contempt of Court and the subject of this Subpoena will liable for all damages sustained to the party aggrieved by such noncompliance, and may be required to forfeit \$50 in addition thereto.

PLEASE REFER THIS MATTER TO YOUR ATTORNEY OR INSURANCE CARRIER AT ONCE, AND CALL, OR HAVE YOUR ATTORNEY CONTACT THE UNDERSIGNED ATTORNEY PRIOR TO THE DATE OF PRODUCTION OF DOCUMENTS.

Dated: New York, New York
August 16, 2018

LEWIS BRISBOIS BISGAARD & SMITH, LLP

By: /s/ Gene K. Kaskiw
Gene K. Kaskiw, Esq.
Attorneys for Defendants
LIBERTY HELICOPTERS, INC., RICHARD
ZEMKE VANCE, and MERIDIAN
CONSULTING I CORPORATION
77 Water Street, 21st Floor
New York, New York 10005
(973) 718-3954
(973) 577-6261 fax

DEFINITIONS

- A. "Document(s)" or "Materials" shall include, but not be limited to:
1. All writings, memoranda, letters, reports, telexes, printed, typed or other graphic matter of any kind or nature, raw notes, and scratch notes;
 2. All mechanical, magnetic and electronic sound recordings or transcripts thereof, any microfilm, microfiche, or other reproductions, and any data, information or statistics contained within any data storage modules, tapes, discs or other memory devices (including IBM or similar cards for information, data and programs);

3. All information retrieval storage systems (including computer-generated reports and printouts in your possession and/or control); it shall also mean all copies of documents by whatever means made and all photographs, tapes digital data;

4. All other data compilations from which information can be obtained and translated, if necessary, by you;

5. Any video recording or still image capture of a video recording, and any data, regardless of whether in digital or analog form, contained within any data storage modules, tapes, discs or other memory devices (including DVD, CD-ROM, flash drive, portable hard drive, tape recording, cassette or other method of storage).

B. "You" or "Your" means the person and/or business entity that is the subject and recipient of this Subpoena.

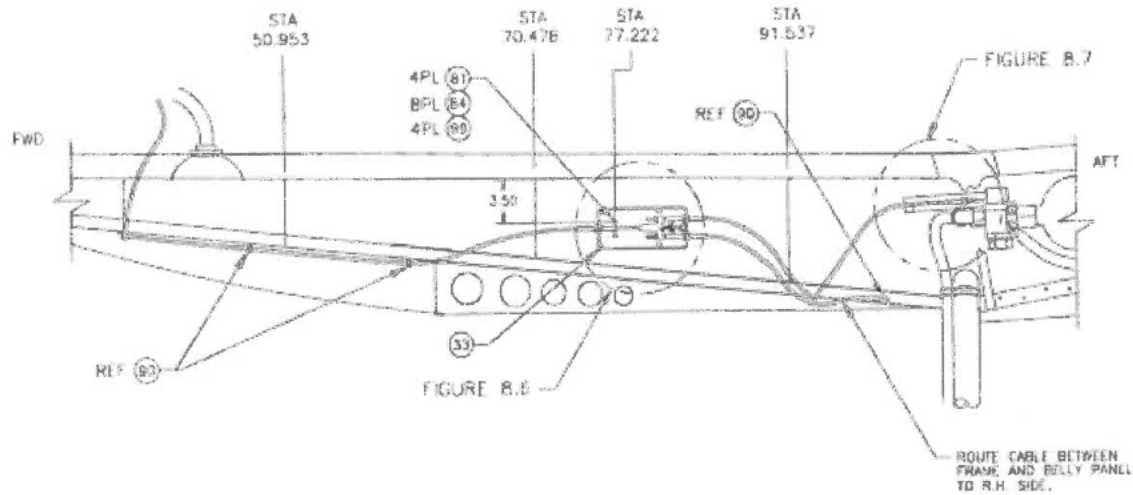
CLAIMS OF PRIVILEGE

If a privilege against disclosure is claimed for any document, such claim must be expressly made for each such document, and for each such document must include a description of the nature of the document, communication or thing not produced, which description must be sufficient to allow plaintiff to understand and/or contest such claim of privilege.

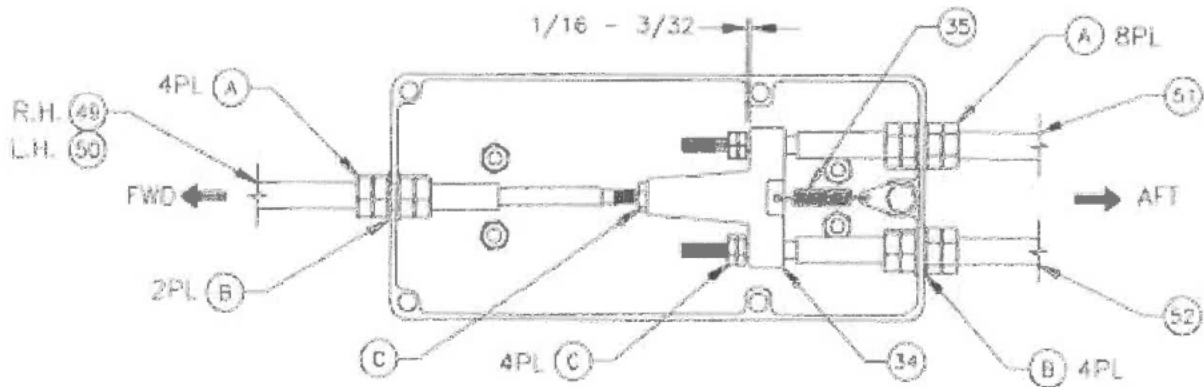
RIDER

- (1) All documents related to the installation of the Dual Cable Box Assembly for the Apical Industries, Inc. (d/b/a Dart Aerospace) Eurocopter AS350B2 Emergency Float Kit, model 20326-700, as depicted in the diagrams attached hereto as Exhibit A.
- (2) Any and all FAA Form 337 in possession of EuroTec Canada Limited regarding the installation of the Dual Cable Box Assembly depicted in the diagram attached hereto as Exhibit A on AS350B2 series helicopters registered N350LH (*m/s/n 7654*), N351LH (*m/s/n 7684*) or N353JS (*m/s/n 3931*).
- (3) Any and all letters of “no technical objection” and/or deviation authority obtained from Apical Industries, Inc. (d/b/a Dart Aerospace) regarding the installation of the Dual Cable Box Assembly depicted on the diagram attached hereto as Exhibit A on any AS350B2 series helicopters, including, but not limited to the AS350B2 series helicopters registered N350LH (*m/s/n 7654*), N351LH (*m/s/n 7684*) or N353JS (*m/s/n 3931*), from 2012 to the present day.
- (4) Any and all communication of any nature between EuroTec Canada Limited and Apical Industries, Inc. (d/b/a Dart Aerospace) regarding the installation of the Dual Cable Box Assembly depicted in the diagram attached hereto as Exhibit A on AS350B2 series helicopters, from 2012 to the present day.
- (5) Any and all communication of any nature between EuroTec Canada Limited and Apical Industries, Inc. (d/b/a Dart Aerospace) regarding any deviation from the approved Installation Instructions pertaining to the location of the Dual Cable Box Assembly depicted in the diagram attached hereto as Exhibit A on AS350B2 series helicopters, from 2012 to the present day.

EXHIBIT A



Apical Industries, Inc. Eurocopter AS350 Emergency Float Kit, model 20326-700
 Approved Installation Instructions, Revision E 9/10/13, Figure 8.5



Apical Industries, Inc. Eurocopter AS350 Emergency Float Kit, model 20326-700
 Approved Installation Instructions, Revision E 9/10/13, Figure 8.6